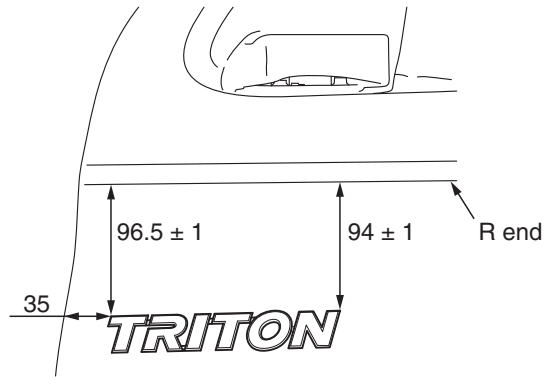


(Left side)



(Right side)

