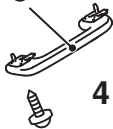


<Double cab>

<With Grip>

3



4

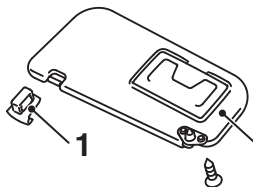


4



1

2



1

2



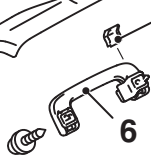
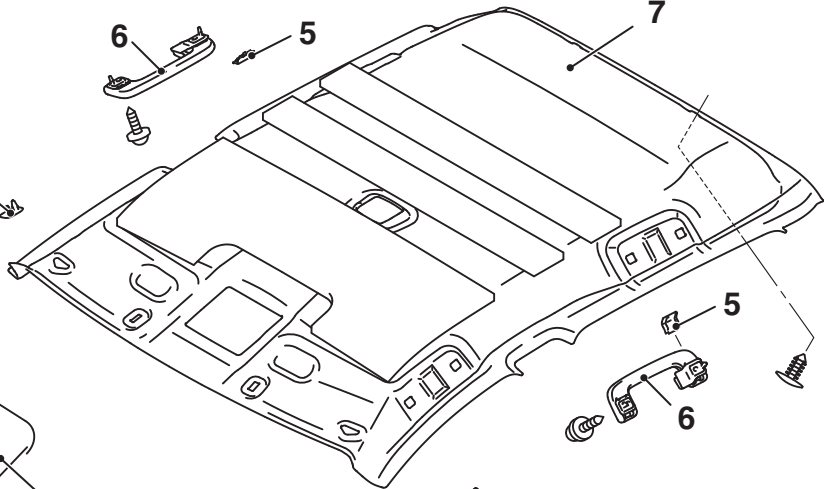
3



6



5



6

5

