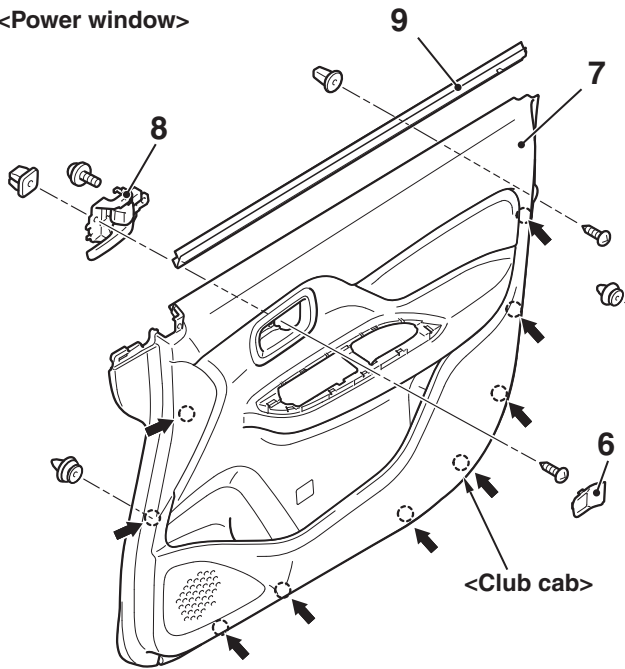


<Power window>



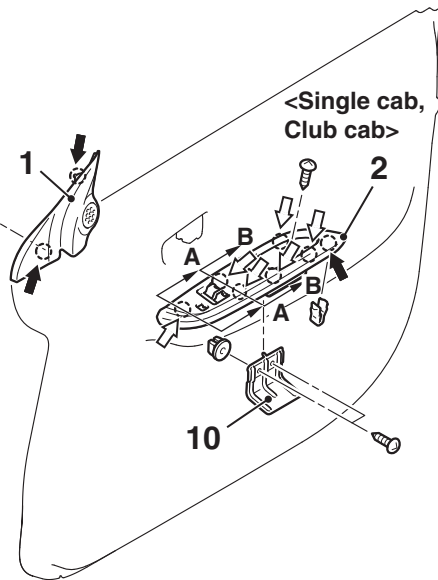
<Club cab>

Note

➔ : Clip positions

➞ : Claw positions

<Single cab,
Club cab>



<Double cab>

