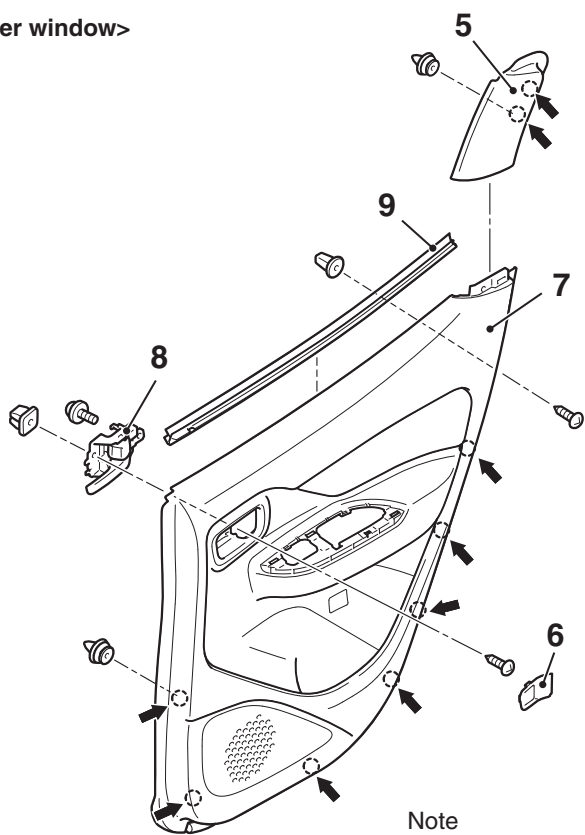


<Power window>



Note

➡ : Clip positions

↖ : Claw positions

