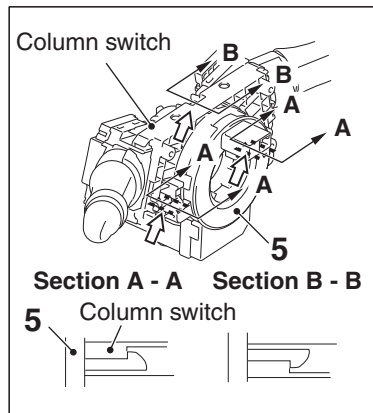
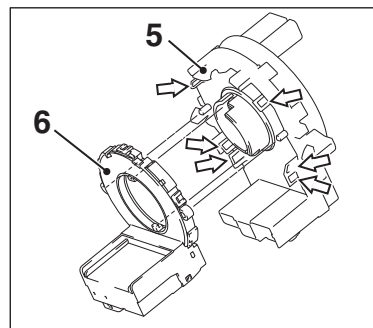


Note

← : Claw positions

ACE01659



ACE02572AC