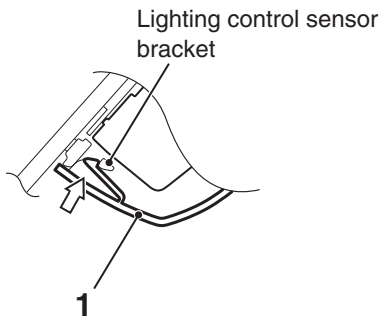
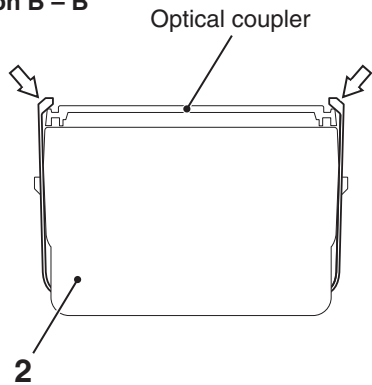


Section A – A



Section B – B



Lighting control sensor bracket

Optical coupler

NOTE

⇐: Claw positions

