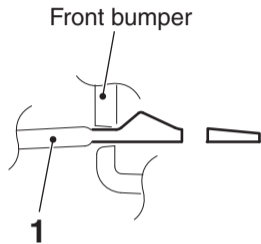
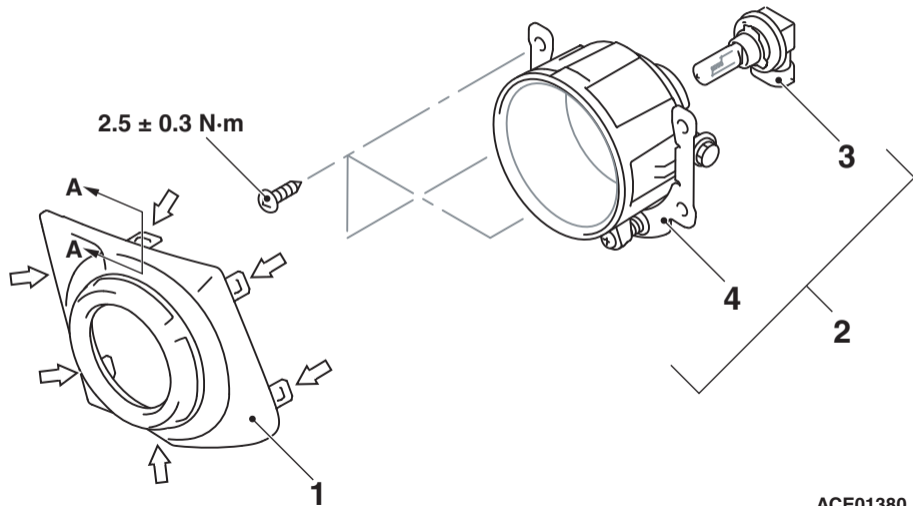


Section A – A



ACE00941



NOTE

←: Claw positions

ACE01380
ACE02108AB