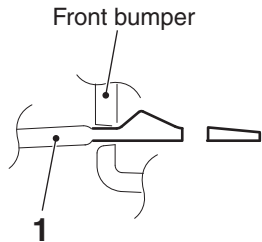


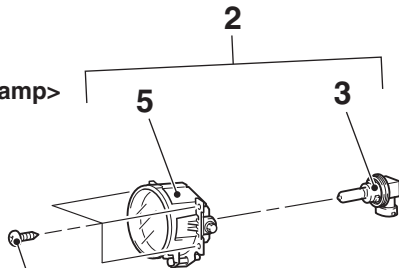
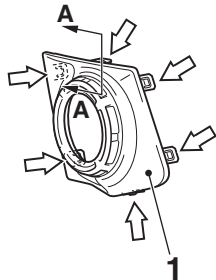
NOTE
←: Claw positions

Section A - A



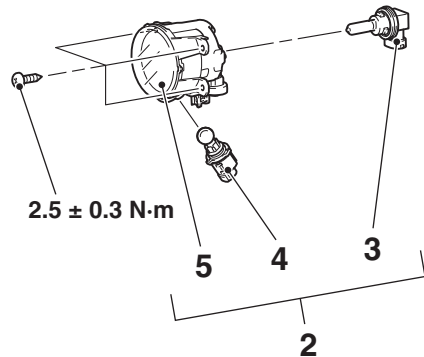
ACE00941

<Vehicles without
daytime running lamp>



$2.5 \pm 0.3 \text{ N}\cdot\text{m}$

<Vehicles with
front fog lamp and
daytime running lamp>



$2.5 \pm 0.3 \text{ N}\cdot\text{m}$

ACE02130
ACE02671 AB