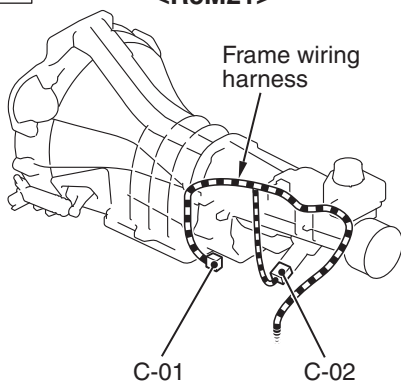


Connector  
symbol

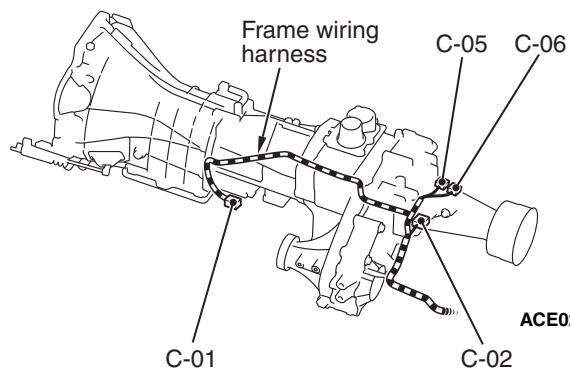
C

<R5M21>



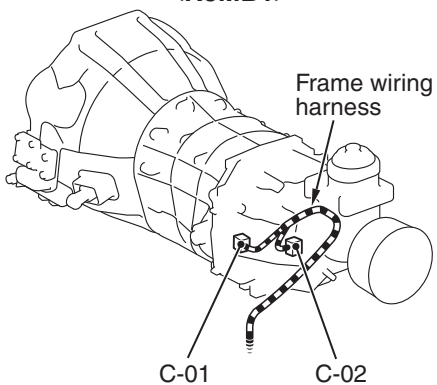
ACE02014

<V5M21>



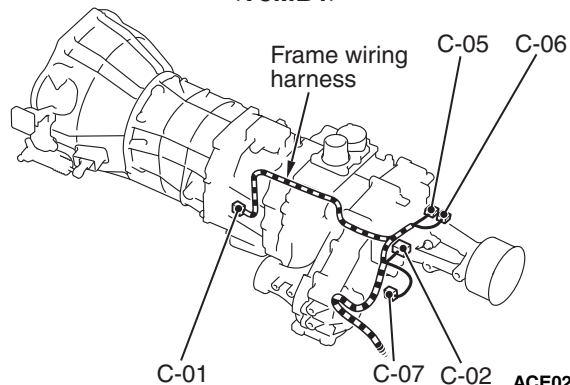
ACE02017

<R5MB1>



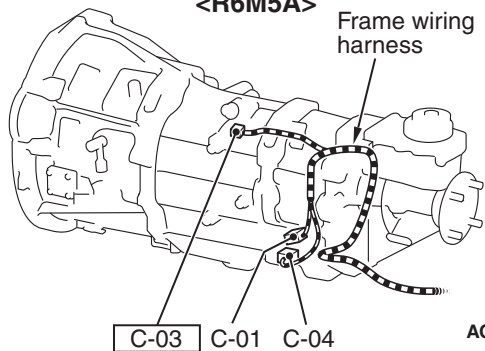
ACE02013

<V5MB1>



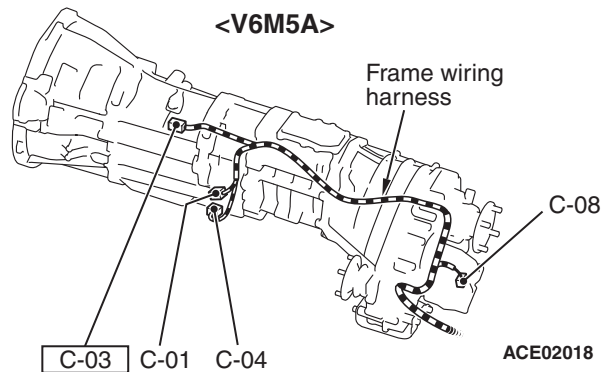
ACE02016

<R6M5A>



ACE02015

<V6M5A>



ACE02018